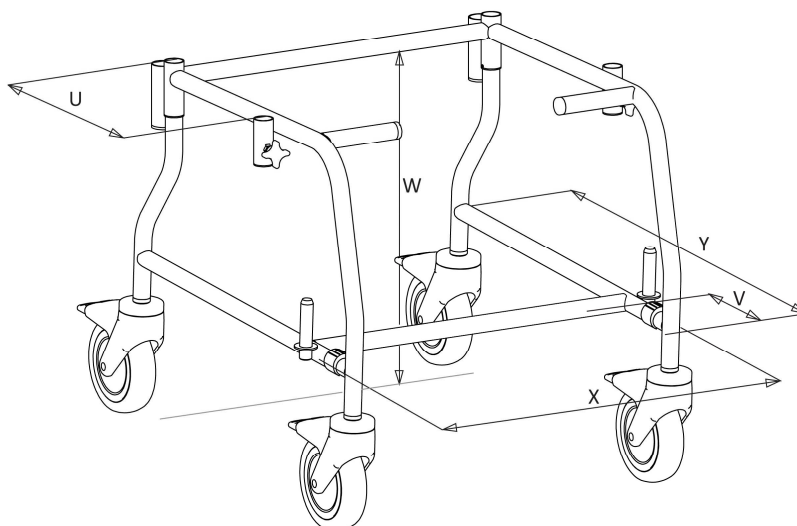


T40 COM



Dimension	Standard (mm)
Width (X)	
W	470
Y	500
U	270
V	110